



PN 212533



**QUALITRU**  
**SAMPLING SYSTEMS**

## **INTRODUCING THE** **TRU STREAM7** **ADJUSTABLE TANKER PORT!**



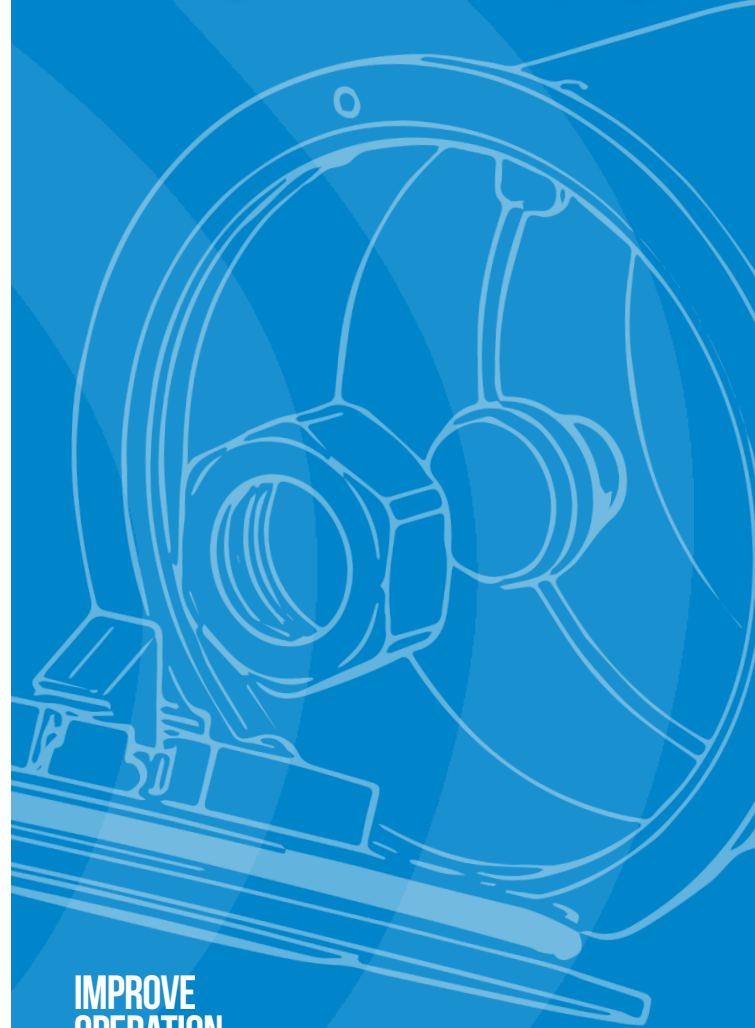
The QualiTru TruStream7 Adjustable Tanker Port with Security Lid is specifically designed for dairy and other liquid food tanker trucks. Our new adjustable tanker port welds onto the inner tank wall and accommodates trailers with varying thicknesses of insulation (from ~4.3" to 6.0") to minimize the need for additional retrofitting and fabrication.



### **BENEFITS OF TANKER PORT SAMPLING**

- Sampling off the side or back of a tanker truck for accurate and safe antibiotic, component, or microbiological sampling.
- Increases receiving bay efficiency by allowing antibiotic samples to be taken before trucks enter the receiving bay, thus reducing congestion and delay in milk unloading.
- Samples collected aseptically, reducing the chance of contamination by bacterial, chemical, or environmental contaminants.
- Improves sampling safety by allowing samples to be taken from the ground, eliminating the dangerous climb to the top of the milk tanker truck.

**Leaders in the science of aseptic and representative sampling.**



**IMPROVE  
OPERATION  
EFFICIENCY**

**Call Today to Learn More or  
Visit Our Website at QualiTru.com!**

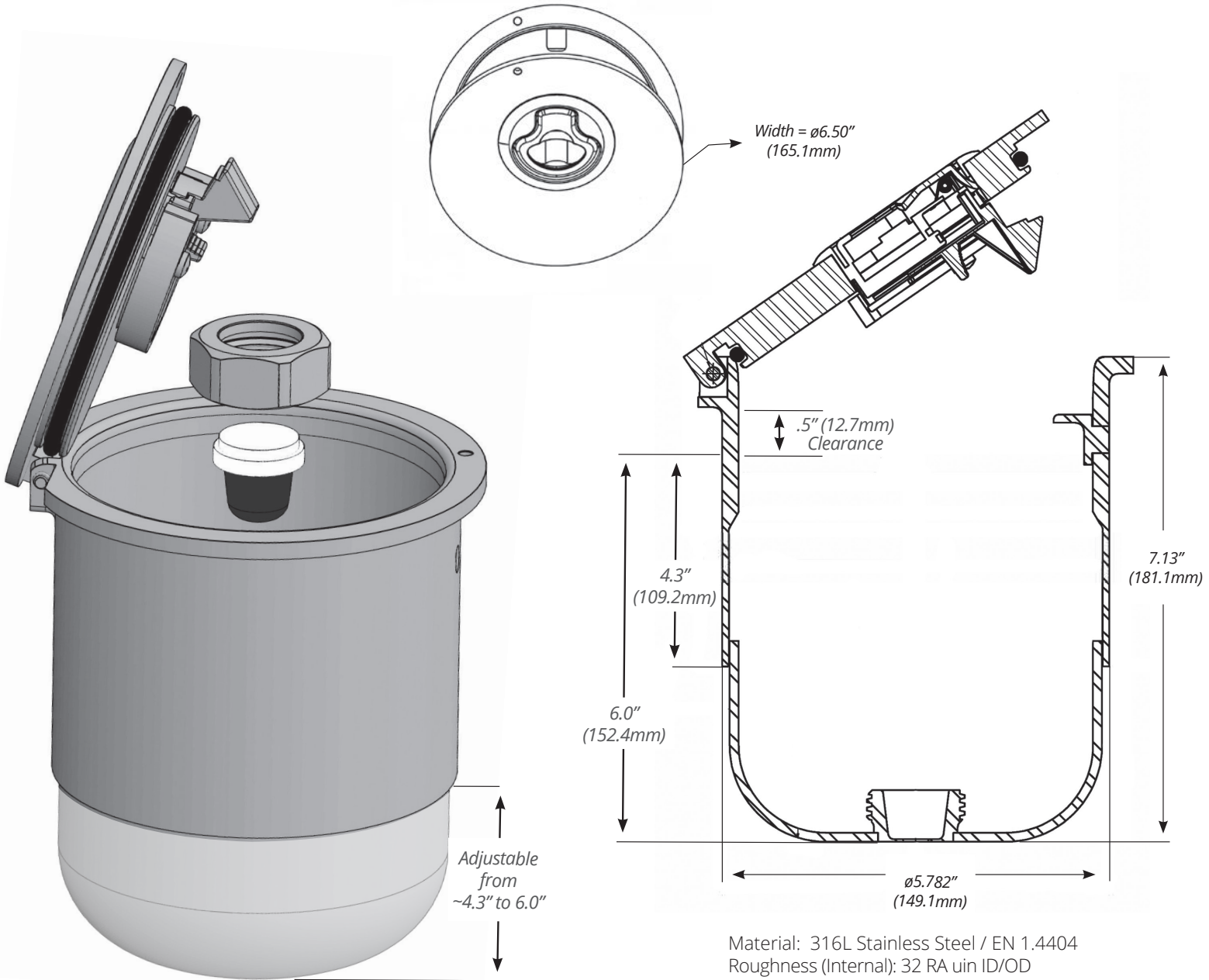
MKTG-113 REVA-012023

**Sales@QualiTru.com | 651-501-2337 | QualiTru.com**

# TECHNICAL SPECIFICATIONS

## TruStream7 Adjustable Tanker Port (Hex Nut and Dust Cover) PN 212533

Accommodates tanker wall thicknesses from ~4.3" to 6.0"



Component Packaging	Part Number	Length	Width	Heights	Shipping Weights
TruStream7	212533	7.33"	6.50"	N/A	13.3 lbs



**Your test result is only as accurate as your sample.**  
**CALL TODAY TO LEARN MORE!**

MKTG-113 REVA-012023

Sales@QualiTru.com | 651-501-2337 | QualiTru.com