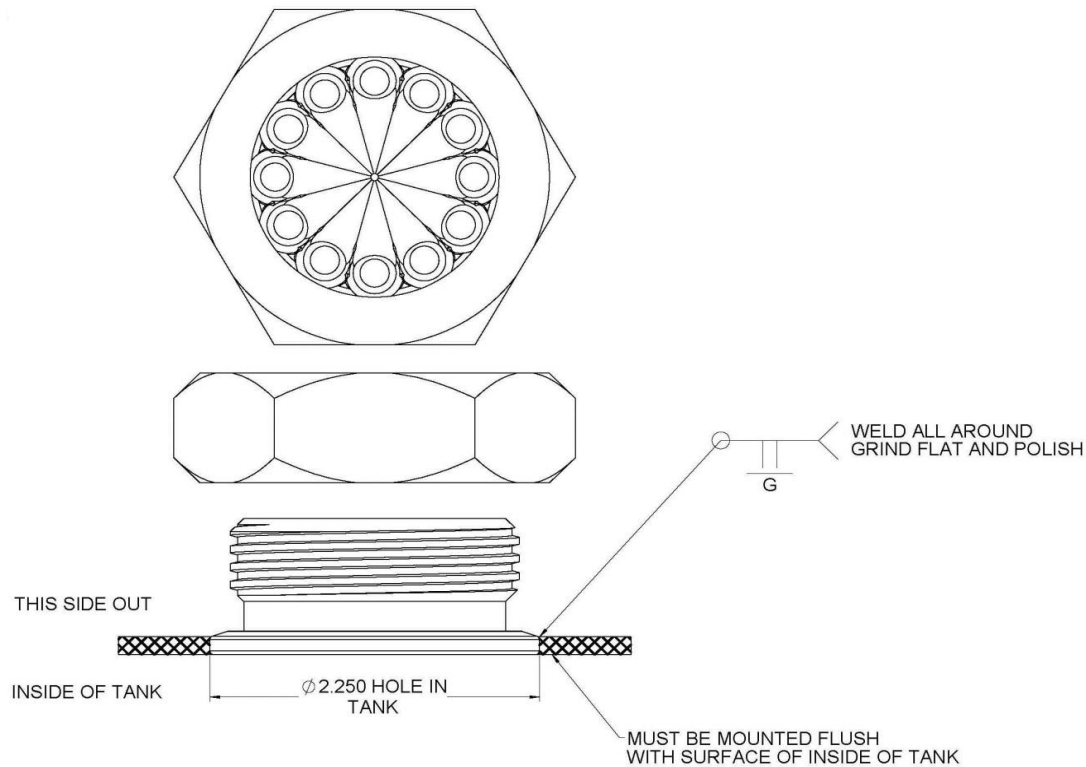


Welding instructions for the following part numbers:

☐ PN 212214



NOTE: THIS DIAGRAM DOES NOT APPLY TO ELLIPTICAL TANK DOORS OR TO MUELLER TANK DOORS. FOR THOSE INSTALLATIONS, CALL QUALITRU FOR INSTRUCTIONS.



Standard 63-04. Certificate Authorization Number 838.