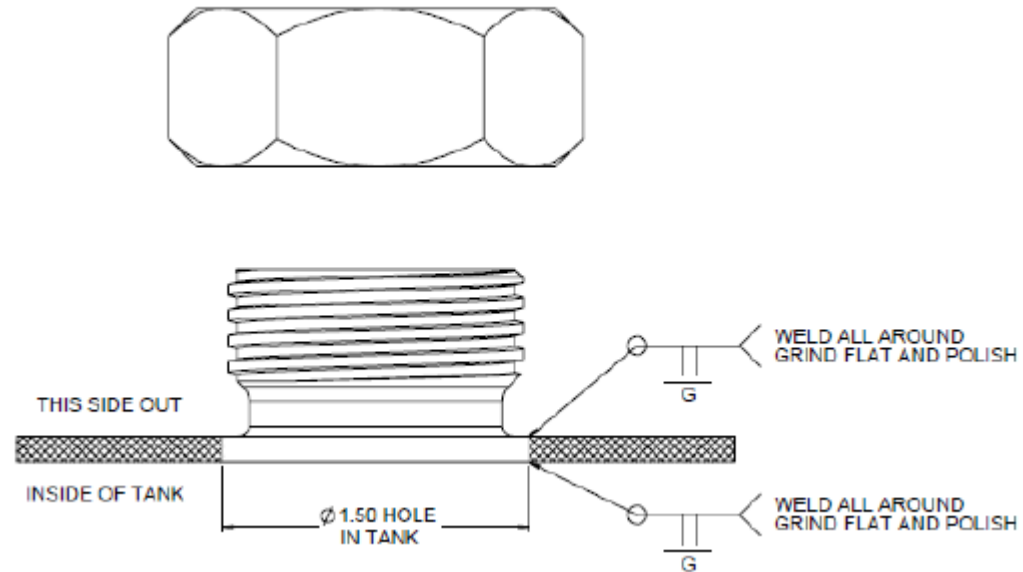


Welding instructions for the following part numbers:

- PN 212113



NOTE: THIS DIAGRAM DOES NOT APPLY TO ELLIPTICAL TANK DOORS OR TO MUELLER TANK DOORS. FOR THOSE INSTALLATIONS, CALL QUALITRU FOR INSTRUCTIONS.

