

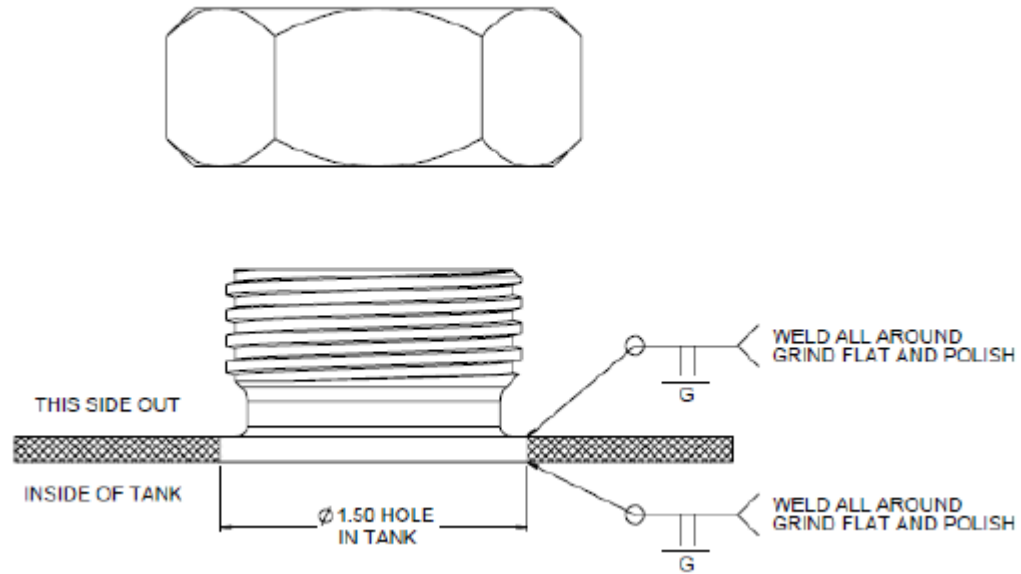


Quality Management, Inc. (QMI)  
www.qmisystems.com  
651-501-2337

---

Welding instructions for the QMI 7-Port Non-Insulated Tank Fitting:

- PN 212113



3-A Sanitary Standards authorized: Sanitary Fittings, Number 63-03; Authorization Number: 838

